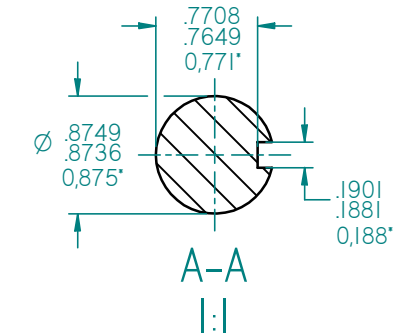


EXTERNAL EARTH POSITION



*NEMA DIMENSION STANDARDS PUBLICATION

STANDARD TERMINAL BOX POSITION IS 9 O'CLOCK AS SHOWN.
 CONDUIT ENTRIES:- TERMINAL BOX CAN BE ROTATED AT 90° INTERVALS
 (CONDUIT ENTRY POSITION SHOWN FOR ILLUSTRATION ONLY)

ALL DIMENSIONS IN INCHES

FIRST ANGLE PROJECTION

BROOK CROMPTON

SHEET SIZE
A3

TITLE:
OUTLINE DIMENSION DRAWING W ALUMINIUM TOTALLY ENCLOSED FAN COOLED WP-DA143TD-R4 4P FRAME FOOT & D FLANGE MOUNTED MOTOR

	NAME	DATE
DRAWN	DL	23-11-11
CHECKED		
SCALE	1 : 2	

DRG. No.	
DRG. REF.	
REVISION:	
DATE:	